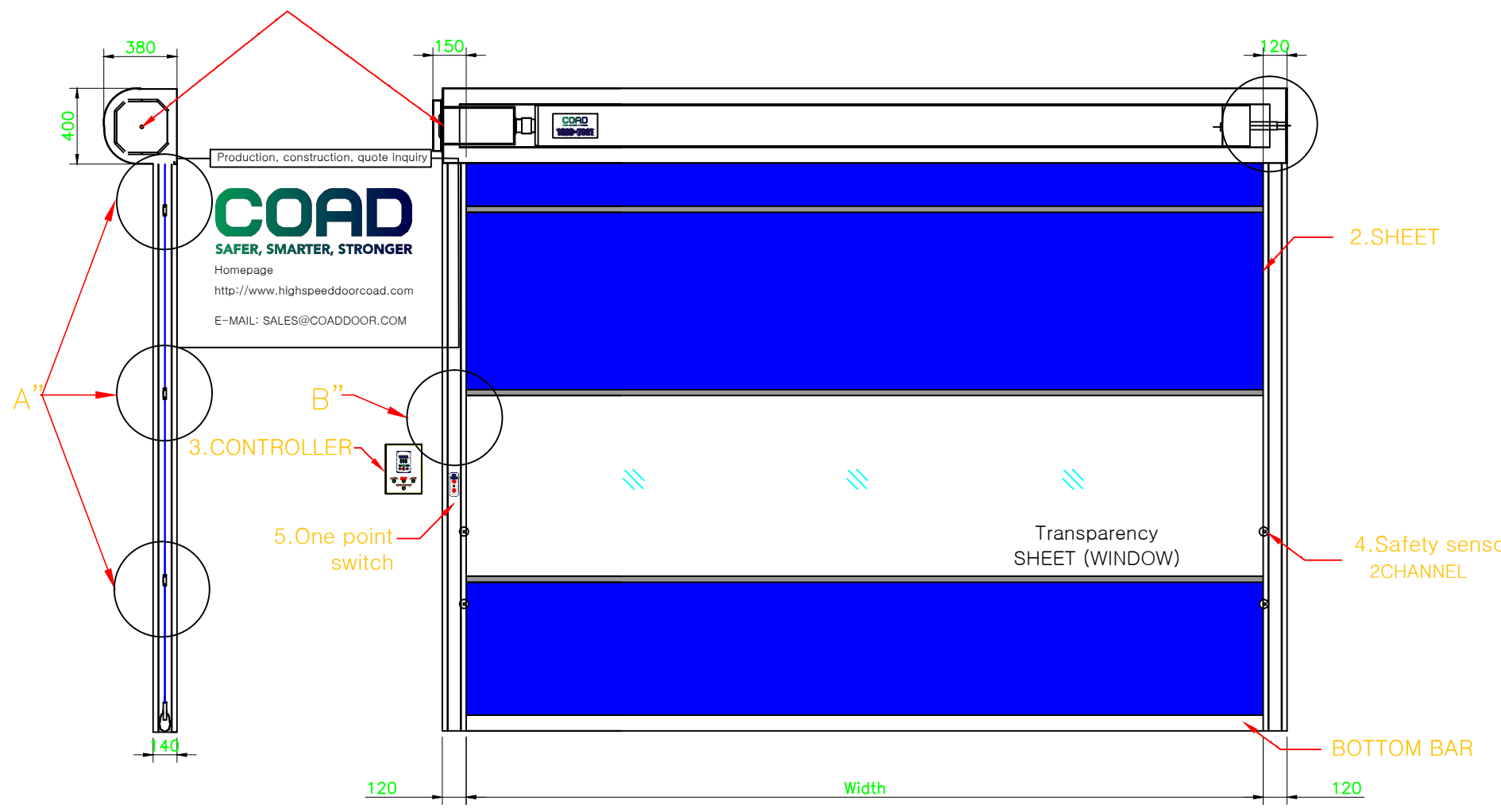
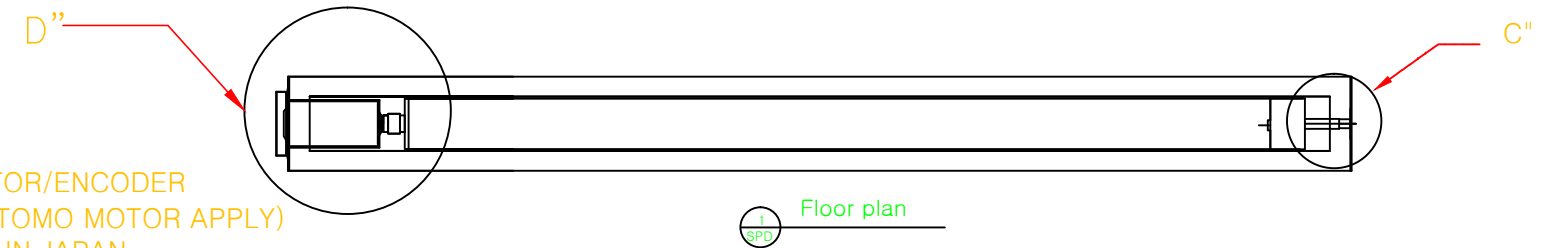


Model	C-2
-------	-----

SHEET COLOR



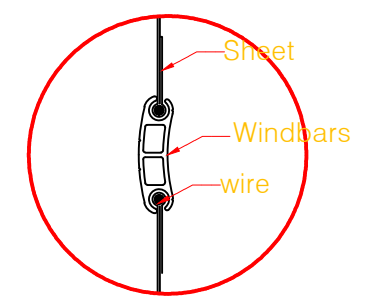
User COLOR selectable



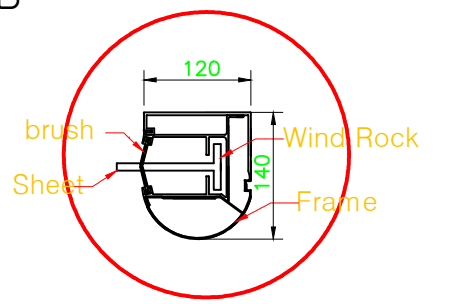
1 SPD Cross-section

1 SPD elevation

A



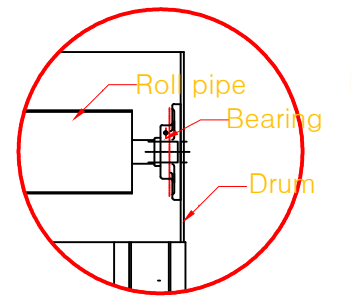
B



Wind-bar is high-strength by AL dual extrusion. So, it prevents the breakaway from wind and possible to let each sheet be separated. Thus, it is easy to exchange the sheet and save the cost for A/S

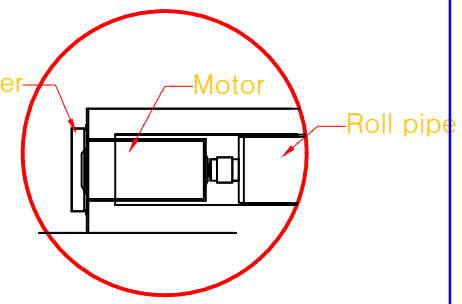
To prevent the breakaway and the transformation from wind pressure, COAD installs wind-lock system in the frame. Also, COAD puts (diagonal) brush (diagonal) brush on the rail so it blocks the inflow of outside objects. The rounded frame is beautiful exterior.

C



By designed bearing not to be exposed to outside, COAD improves the fault caused by outside materials and COAD door becomes free from corrosion.

D



Motor is placed inside the drum so customers secure the extra space which needs for motor on both sides. Also, COAD speed door is water-resistant and useful to be installed in the narrow aisle.

7	Etc	Security device interlocking, built-in switch application, separation prevention application
6	OPTION	Remote control, safety post, infrared sensor, Metal detection sensor
5	SWITCH	One point switch, proximity switch applicable
4	SENSOR	2CHANNEL PHOTO SENSOR for safety
3	CONTROLLER	INPUT AC220V single phase, double open control, manual / automatic, automatic door application
2	SHEET	THK 2mm, PVC COATING, COATING
1	MOTOR	SUMITOMO HYPONIC TYPE 1HP/0.5HP MOTOR(MADE IN JAPAN)
No.	Product Name	Contents

Field name	Date	0000-00-00	Door type		Slim Type		Drawing department		Note
	Drawing number	00000000	Scale	N/S	Unit	mm	Drawing size	A3	
			Drawing engineer		Lee Taehyung				
	Approve								



TEL : 1899-7081
FAX : 0505-182-5567
E-MAIL : SALES@COADDOOR.COM
HOME PAGE : WWW.COADDOOR.COM
ADDRESS : Gyeonggi-do Namyang-eup
Hyundai-Kia road 202-37